

TELSMITH

an Astec company



TELSMITH MODEL 3858 JAW CRUSHER

Built for optimum results when crushing quarried stone, the 3858 jaw crusher combines high capacity, dependable operation and hydraulic chamber clearing to deliver consistent performance. Designed around a high capacity, 60 inch wide crushing chamber, the main frame and pitman are FEA designed and stress relieved for durability. Additional patented hydraulic operating features maximize "uptime" availability and safety to make the 3858 the best solution for today's quarry.

Unique to the 3858 jaw crusher is a patented hydraulic system that enables chamber clearing and overload protection. These features significantly improve crusher availability and lower operating costs.

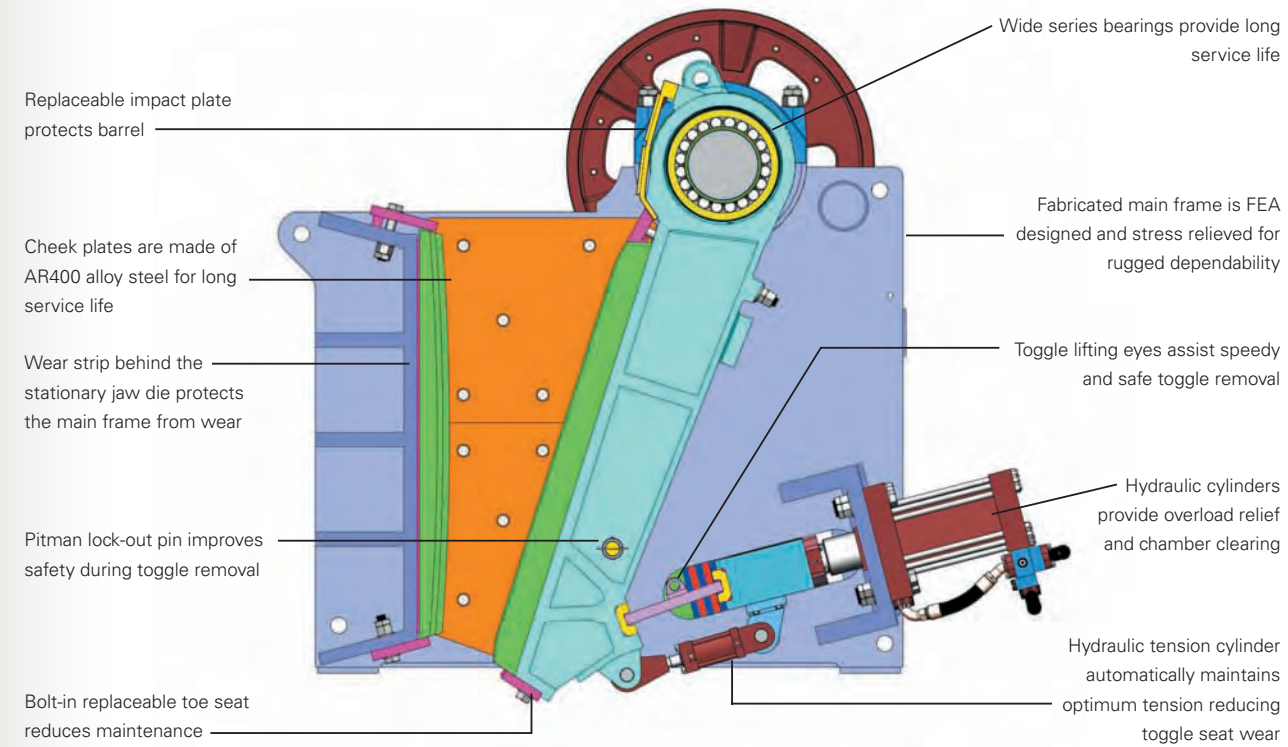
The hydraulic chamber clearing feature enables stone to be cleared from the crusher in less

than 30 minutes after a power failure. Through push button controls, stone is crushed with hydraulics, eliminating hours of downtime spent "digging out" and eliminating the risk to employees who could otherwise be injured in the process.

The hydraulic system also provides overload protection. Hydraulic cylinders give way to allow the tramp metal to pass, then return to operating position automatically, eliminating the typical bending or breaking of toggles.

Performance, reliability and safe operation, combined with industry leading customer support, makes the TelSmith 3858 jaw crusher an economical solution for the primary crushing requirements of the modern quarry.

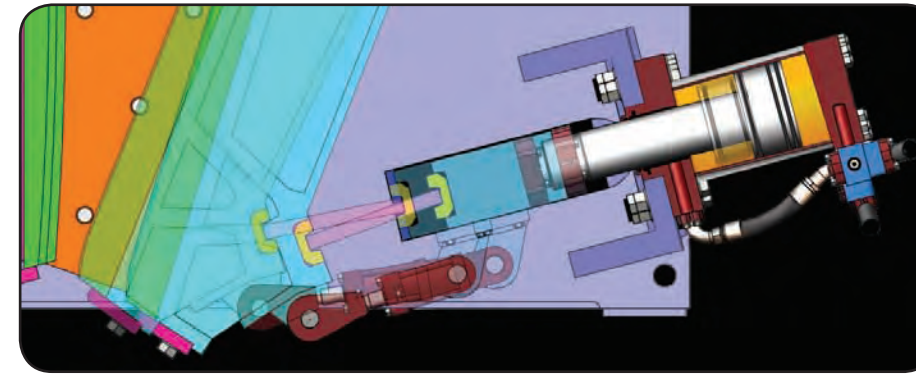
3858 SECTION VIEW:



HYDRAULIC OVERLOAD RELIEF:

The 3858 relief system protects internal parts from damage when uncrushable material enters the crusher. Automatically, hydraulic cylinders will give way to allow the uncrushable to pass. The system will then automatically return to the previous setting.

With no broken or bent parts and no down time, the 3858 continues crushing stone as if nothing had happened.



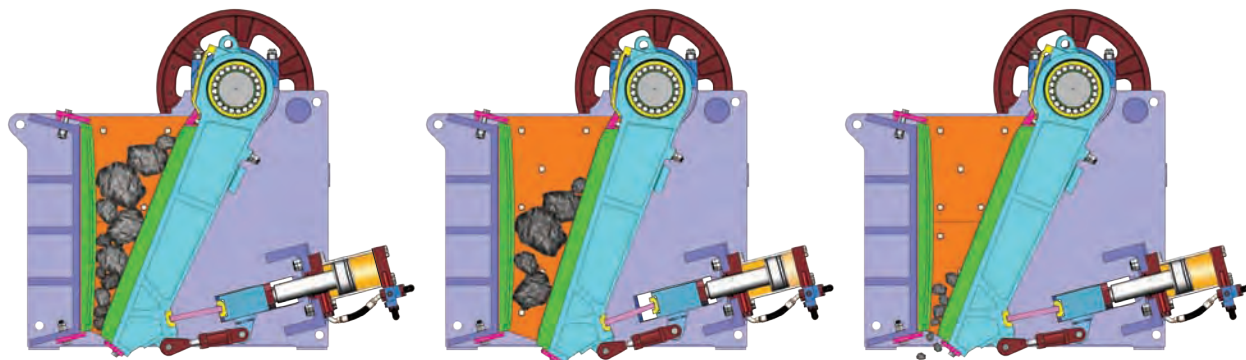
**Jaw Crusher Capacity - Model 3858
Crusher Settings**

CSS	4" (100 mm)	5" (125 mm)	6" (150 mm)	7" (175 mm)	8" (200 mm)	9" (229 mm)
stph	390-600	432-680	500-735	530-800	575-890	620-950
mtph	355-545	393-618	455-668	482-727	523-809	564-864

3858 CHAMBER CLEARING:

The 3858 features a patented hydraulic chamber clearing system that significantly reduces downtime and lowers operating costs. This revolutionary system operates with remote push button controls and can clear the crusher of all stone in less than 30 minutes, saving hours of lost production with each occurrence.

At the heart of the system are robust hydraulic cylinders that crush any stone remaining in the crusher after an interruption. Stone is crushed to normal size and dumped on to the product belt, where it can continue onto secondary crushing. By relying on remote controls, employees are kept out of harm's way.



During normal crushing, hydraulic cylinders hold the toggle beam forward.

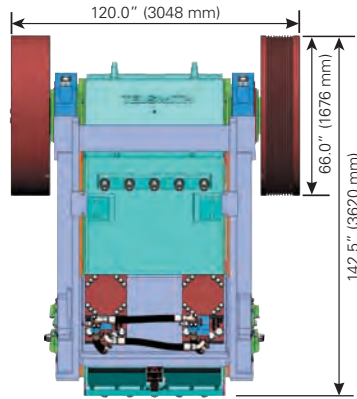
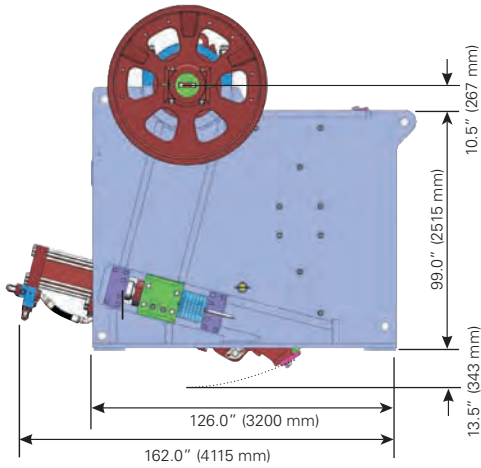
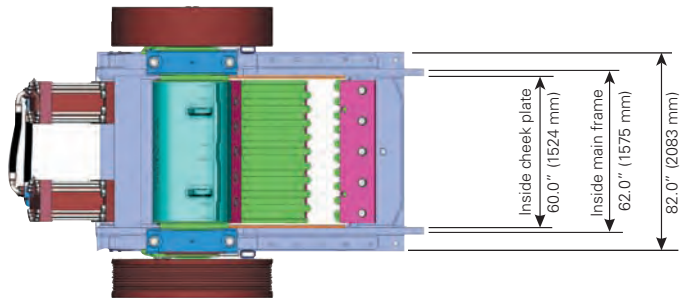
Clearing is achieved using push button controls. Cylinders retract the toggle beam and pitman, allowing the stone to fall.

Cylinders push the toggle beam and pitman forward, crushing the remaining stone. Cycling through this process a few times clears the chamber.

**Typical Jaw Crusher Product Gradations
% Passing Sieve Size**

Sieve Size	CSS	4" (100 mm)	5" (125 mm)	6" (150 mm)	7" (175 mm)	8" (200 mm)	9" (229 mm)
14"	356 mm						100
13"	330 mm					100	95
12"	305 mm					95	90
11"	279 mm				100	90	85
10"	254 mm			100	97	85	78
9"	229 mm		100	98	91	78	70
8"	200 mm		98	91	85	70	63
7"	175 mm	100	91	81	76	60	55
6"	150 mm	92	81	71	65	50	45
5"	127 mm	80	69	60	51	40	35
4"	100 mm	66	55	46	39	30	25
3"	75 mm	49	39	32	27	20	18
2"	50 mm	28	23	20	17	14	13
1"	25 mm	14	11	10	7	7	6

Notes: Capacities are approximate total throughput based on an average material having a bulk density of 100 lbs/ft³. Throughput capacity will vary depending on the type of material, feed gradation, moisture content, feed method and other site specific operating conditions. Output gradations are approximate and will vary depending on the type of material, moisture content, feed gradation, feed rate and other site specific operating conditions. Settings listed are for jaws in closed position and measured peak to peak.



Note: Dimensions are approximate, rounded to the nearest 1/4"

General Specifications - Model 3858

		US	Metric
Net Weight		108,000 lbs	48,988 kg
Export Packed		109,500 lbs	49,668 kg
Jaw Opening (standard dies)		38 in x 60 in	965 mm x 1,524 mm
Recommended Motor		250 hp	186 kw
Recommended Crusher RPM		260 RPM	
Pulley Size (dia x face)		66 in x 16 in	1,676 mm x 406 mm
Lubrication	Standard	Grease	
	Optional	Auto Grease or Recirculating Oil	
Adjustment		Hydraulic Adjust with Shims	
Overload Protection		Hydraulic Relief	
Cheek Plate Material		AR400	
Jaw Die Material		Hadfields Manganese	
Jaw Die Clamp (upper)	Static	Clamp Plate	
	Moving	Wedge	
Jaw Die Clamp (lower)		Bolt-in Replaceable Toe	
Hydraulic System	Tank Capacity	60 gallons	227 liters
	Motor	20 hp	15 kw

TELSMITH

an Astec company

P.O. Box 539
Mequon, WI 53092-0539

Phone: 800-765-6601

262-242-6600

Fax: 262-242-5812

www.telsmith.com

sales@telsmith.com

©2006 Telsmith, Inc.
Model 3858 12/06

TELSMITH an Astec Industries Company

10910 N. INDUSTRIAL DR • MEQUON, WI 53092 USA • 262.242.6600 FAX 262.242.5812 • telsmith.com

